



670 SW 15th Street
 Forest Lake, MN 55025
 PH (888) 643-6694
 FAX (651) 464-4780
sales@geargrid.com
www.geargrid.com

RFQ / ORDER FORM

rev 140402

GearGrid - Apparatus Storage Systems

Date: _____
 Project Name: _____
 Submitted by: _____
 Phone#: _____
 Email: _____
 PO#: _____
 Req. Delivery Date: _____

Sold To: _____
 [addr1] _____
 [addr2] _____
 [city, ST ZIP] _____

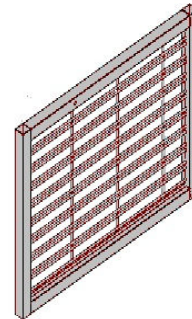
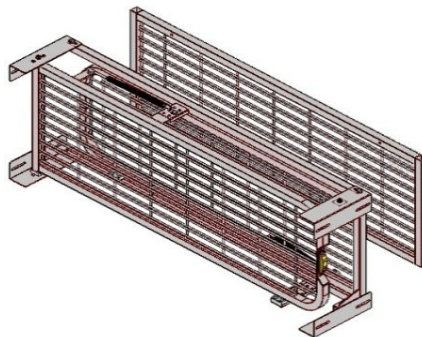
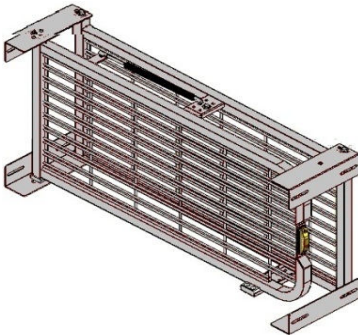
Ship To: _____
 [addr1] _____
 [addr2] _____
 [city, ST ZIP] _____

Single SwingOut Tool Grid
 Minimum Compartment Depth 12"

Double SwingOut Tool Grid
 Minimum Compartment Depth 18"

PullOut Tool Grid

NOTE: Rear Wall Stationary Grid is included with either Single or Double SwingOut package.
 Rear Wall Stationary Grid is also available to be ordered as a stand alone item.



Hinge Orientation, for Single or Outer Panel of Double:

LH RH

Rating: 250# 500#

Extension: 70% 100%

Color:



Compartment Internal Dimensions: W" _____ H" _____ D" _____

Any obstructions inside compartment (lights, vents, junction boxes, other)? Yes No

IF Yes, Define:

Compt Door Style:

Roll-Up Hinged: LH RH Both Top Other-Define

Clear Door Opening Dimensions: W" _____ H" _____

Any obstructions in Door Opening (gas struts, wire looms, other)? Yes No

IF Yes, Define:

Offset Bracket Size:

1" 2" 3" 4" Delete

Each Swing-Out Grid package includes Qty (4) Offset Brackets; 1 upper and 1 lower for each side.

Offset Brackets are used with Swing-Out Grids to accommodate setback of compartment wall from clear door opening. Also can be used if additional clearance is desired between compartment wall and frame assembly for lights, vents, junction boxes, etc.

NOTE: The specified bracket offset dimensions will actually fill twice the indicated dimension, since they are on both sides of the assembly. i.e. specifying 1" brackets will take up 2" of total space.

Tool Mounts, indicate Qty desired of each:

Pickhead Axe: _____



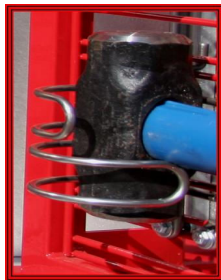
Axe Head: _____



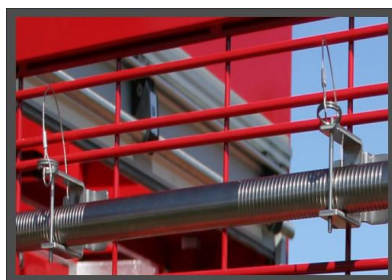
D-Handle: _____



Maul Head: _____



Sheet Metal Holder: _____



Starter Kit: _____

- | Qty Ea. | Item |
|---------|----------------------|
| (1) | Pickhead Axe Bracket |
| (1) | Axe Head Bracket |
| (1) | Maul Head Bracket |
| (3) | D-Handle Brackets |
| (4) | Sheet Metal Holders |

Engineering Drawing or Pictures of actual compartment are helpful and appreciated.

Installation Notes: Installation hardware not included. Warning lights (if applicable) will require providing a circuit from the apparatus. Any shimming required due to compartment out of square/plumb is the responsibility of the installer.

THANK YOU!